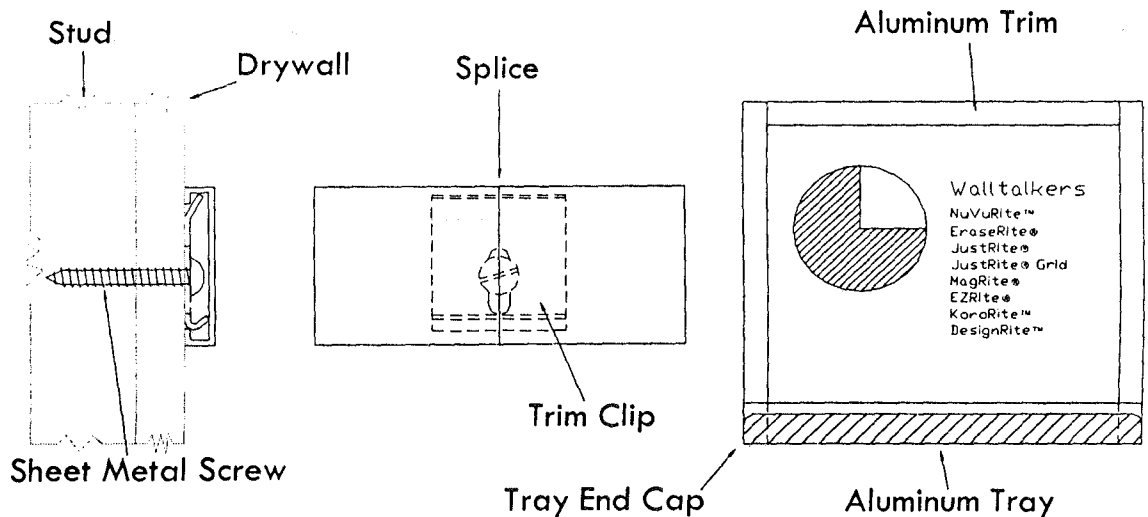


Aluminum Trim Installation Instructions

- 1) Examine goods to assure quantity and quality is as ordered. Lay out the work to be completed, including all parts, along the base of the wall. The parts will include those supplied by **walltalkers®** and those the installer must supply. **walltalkers** supplies the extruded aluminum trim and steel mounting clips in the quantities ordered. The installer must supply the hardware, **#10 X 1-1/2" truss head sheet metal screws**, for most installations. **Masonry anchors** and manufacturer specified hardware should be used for concrete and block walls. One screw and/or anchor is required for each mounting clip; clips are installed 16" on center.
- 2) Install aluminum tray before trim. Determine the location of the trim on the wall. Mark the inside dimensions on the wall with something that will not permanently damage that surface. (Ex: If the material being framed is a **walltalkers** dry erase surface, use a dry erase marker to make the level and plumb lines.) Install the dry erase material and then overlap the edges with the trim. Overlapping will ensure a good edge appearance on the writing surface.
- 3) Using the wall measurements, measure, mark, and cut the aluminum trim pieces to size. Use a miter saw with a **fine tooth carbide tip blade**. Most installations will require a full length marker tray, terminating at the outside edges of the dry erase material. See diagram below. In those cases, 3 pieces of trim will be required, the top and two side pieces. The bottom of the side pieces will terminate flush with the top side of the marker tray. The cut edges of trim can also be mitered to 45° angles, if desired.
- 4) Install the steel clips 5/32" outside the markings on the wall. The clips should be installed every 16" on center, making solid contact with the wall studs, with the #10 X 1-1/2" screws. If the clip screws do not contact the studs, as with some of the vertically mounted pieces, use plastic wall anchors. The angled side of the clips, i.e. the flat beveled side, should always be mounted toward the ceiling on horizontal runs, rounded edge faces the floor. For vertical runs, the angled side should face the outside walls and the rounded side faces the material being framed.
- 5) Install the trim pieces to the clips. Place the aluminum trim over the angled side of the steel clips; hold the face of the trim at a 45° angle from the wall. Hook the trim piece over the beveled edges of the clips and apply pressure with the heel of the hand to the side not locked in, trim will snap into the locked position. Repeat the same steps with all pieces of trim.
- 6) If a splice is required, follow the detail below. The spliced pieces of aluminum require a clean right angle cut for the joint to have a good appearance. Mount a steel clip on the wall at the splice location, 1/2 of the clip should line up inside each piece of trim.



Indoff, Inc.
Selling Nationwide
ahutton@ahutton.com
(860) 632-2026
FAX: (860) 632-2028
www.ahutton.com